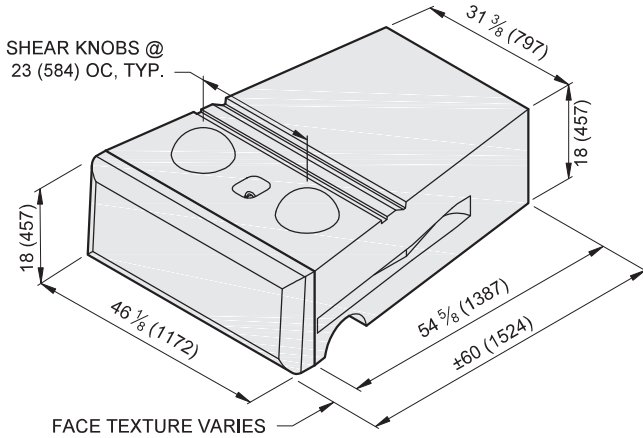


RETAINING BLOCKS

Block Library

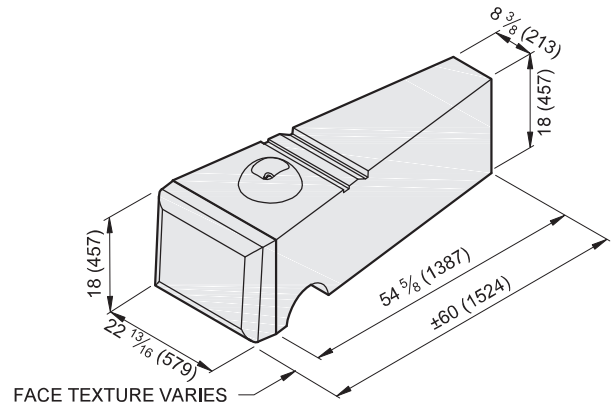
60" (1520mm) MIDDLE

Face Texture:	Cobble / Limestone	Ledgestone
Block Weight:	3287 lb (1491 kg)	3216 lb (1458 kg)
Block Volume:	23.00 ft ³ (0.651 m ³)	22.49 ft ³ (0.637 m ³)
Center of Gravity:	31.0" (786 mm)	30.4" (772 mm)



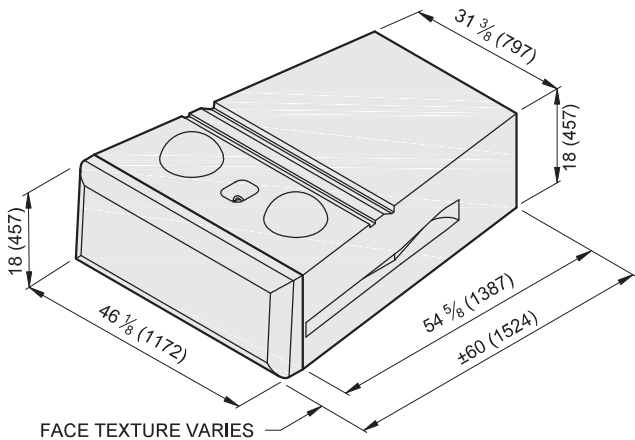
60" (1520mm) HALF MIDDLE

Face Texture:	Cobble / Limestone	Ledgestone
Block Weight:	1335 lb (606 kg)	1300 lb (590 kg)
Block Volume:	9.34 ft ³ (0.264 m ³)	9.09 ft ³ (0.258 m ³)
Center of Gravity:	33.7" (856 mm)	33.1" (840 mm)



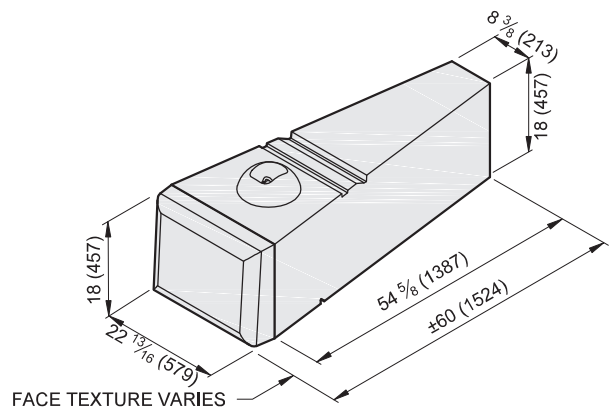
60" (1520mm) BOTTOM

Face Texture:	Cobble / Limestone	Ledgestone
Block Weight:	3418 lb (1550 kg)	3346 lb (1518 kg)
Block Volume:	23.90 ft ³ (0.677 m ³)	23.40 ft ³ (0.663 m ³)
Center of Gravity:	31.6" (802 mm)	31.0" (788 mm)



60" (1520mm) HALF BOTTOM

Face Texture:	Cobble / Limestone	Ledgestone
Block Weight:	1397 lb (633 kg)	1364 lb (618 kg)
Block Volume:	9.77 ft ³ (0.277 m ³)	9.52 ft ³ (0.270 m ³)
Center of Gravity:	34.3" (871 mm)	33.7" (856 mm)



1. Units for dimensions are inches (mm), typical unless noted otherwise.
2. Confirm block production with licensed Redi-Rock manufacturer.
3. Center of Gravity is measured from the back of block.
4. Actual block volumes and weights may vary.
5. Weights are based upon a concrete density of 143 lb/ft³ (2291kg/m³).

6. 60" (1520 mm) are typically used at the bottom of taller walls.
7. Half blocks contain a fork slot on only one side of the block.
8. Interface Shear knobs are typically 10" (254mm) diameter by 4" (102mm) tall. Smaller knob diameters are available.