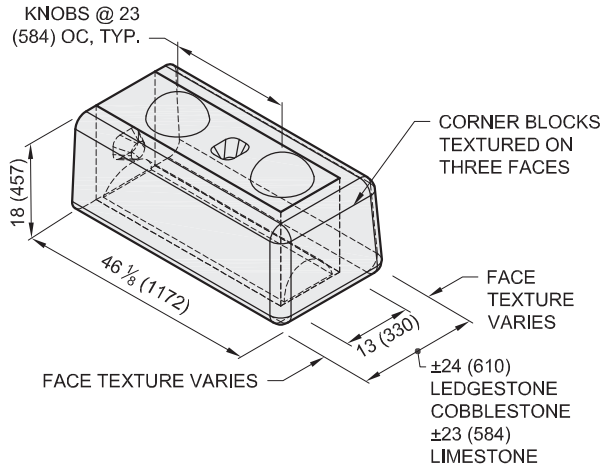


FREESTANDING BLOCKS

# Block Library

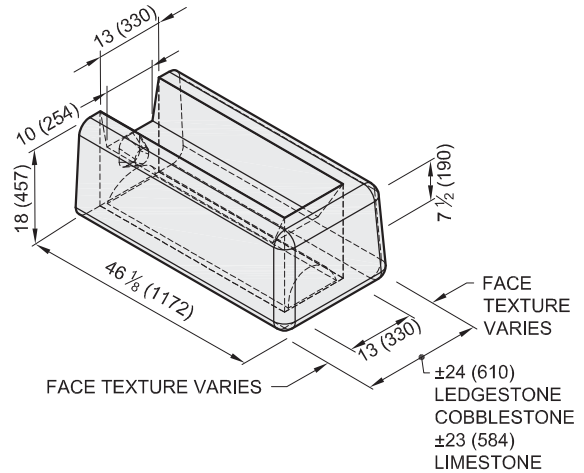
## CORNER MIDDLE

Face Texture:	Limestone	Cobblestone	Ledgestone
Block Weight:	1370 lb (620kg)	1390 lb (630 kg)	1360 lb (617kg)
Block Volume:	9.6 ft <sup>3</sup> (0.27m <sup>3</sup> )	9.7 ft <sup>3</sup> (0.28m <sup>3</sup> )	9.5 ft <sup>3</sup> (0.27m <sup>3</sup> )



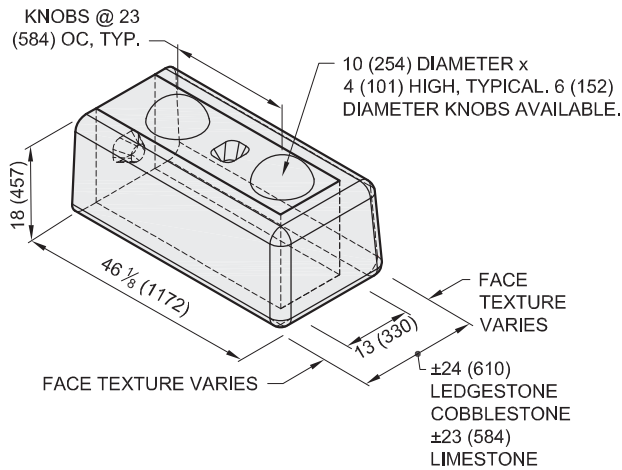
## CORNER GARDEN TOP

Face Texture:	Limestone	Cobblestone	Ledgestone
Block Weight:	1070 lb (480kg)	1080 lb (490 kg)	1060 lb (480kg)
Block Volume:	7.5 ft <sup>3</sup> (0.21m <sup>3</sup> )	7.6 ft <sup>3</sup> (0.22m <sup>3</sup> )	7.4 ft <sup>3</sup> (0.21m <sup>3</sup> )



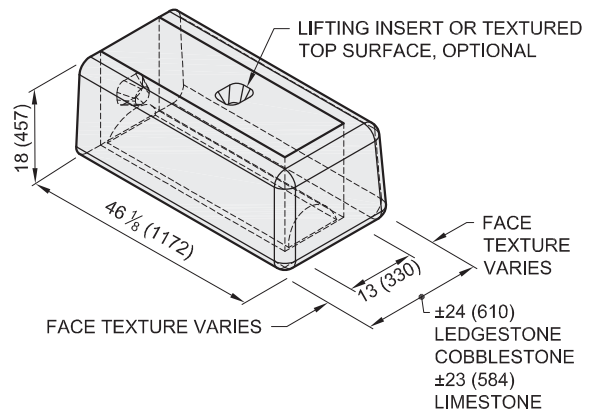
## CORNER BOTTOM

Face Texture:	Limestone	Cobblestone	Ledgestone
Block Weight:	1490 lb (680kg)	1510 lb (680 kg)	1480 lb (670kg)
Block Volume:	10.4 ft <sup>3</sup> (0.30m <sup>3</sup> )	10.5 ft <sup>3</sup> (0.30m <sup>3</sup> )	10.3 ft <sup>3</sup> (0.29m <sup>3</sup> )



## CORNER TOP

Face Texture:	Limestone	Cobblestone	Ledgestone
Block Weight:	1340 lb (610kg)	1360 lb (620 kg)	1330 lb (600kg)
Block Volume:	9.4 ft <sup>3</sup> (0.26m <sup>3</sup> )	9.5 ft <sup>3</sup> (0.27m <sup>3</sup> )	9.3 ft <sup>3</sup> (0.26m <sup>3</sup> )



1. Units for dimensions are inches (mm), typical unless noted otherwise.
2. Confirm block production with licensed Redi-Rock manufacturer.
3. Architectural faces on the blocks have varying texture.
4. Actual block volumes and weights may vary.

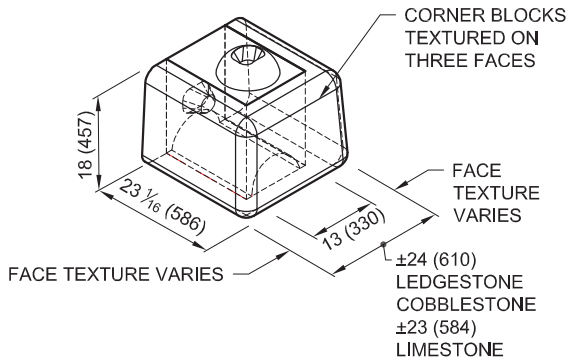
5. Weights are based upon a concrete density of 143 lb/ft<sup>3</sup> (2291 kg/m<sup>3</sup>).
6. Knobs are typically 10" (254mm) diameter by 4" (102 mm) tall. Smaller knobs are available.

FREESTANDING BLOCKS

# Block Library

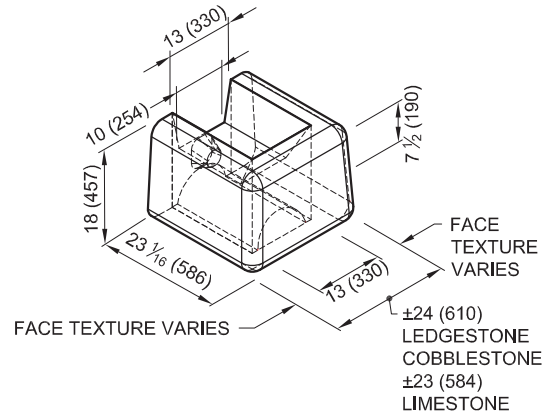
## HALF CORNER MIDDLE

Face Texture:	Limestone	Cobblestone	Ledgestone
Block Weight:	660 lb (300kg)	690 lb (310 kg)	650 lb (300kg)
Block Volume:	4.6 ft <sup>3</sup> (0.13m <sup>3</sup> )	4.8 ft <sup>3</sup> (0.14m <sup>3</sup> )	4.6 ft <sup>3</sup> (0.13m <sup>3</sup> )



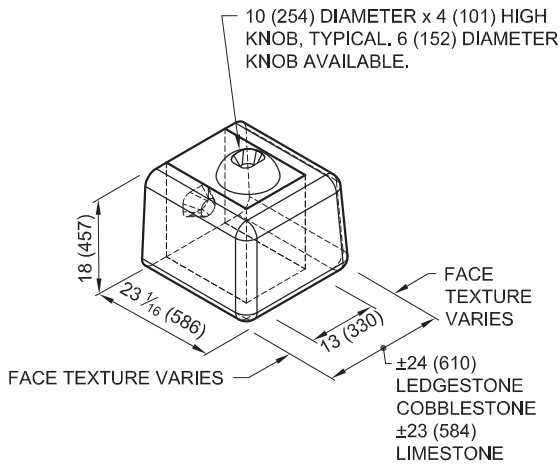
## HALF CORNER GARDEN TOP

Face Texture:	Limestone	Cobblestone	Ledgestone
Block Weight:	530 lb (240kg)	570 lb (260 kg)	530 lb (240kg)
Block Volume:	3.7 ft <sup>3</sup> (0.11m <sup>3</sup> )	4.0 ft <sup>3</sup> (0.11m <sup>3</sup> )	3.7 ft <sup>3</sup> (0.10m <sup>3</sup> )



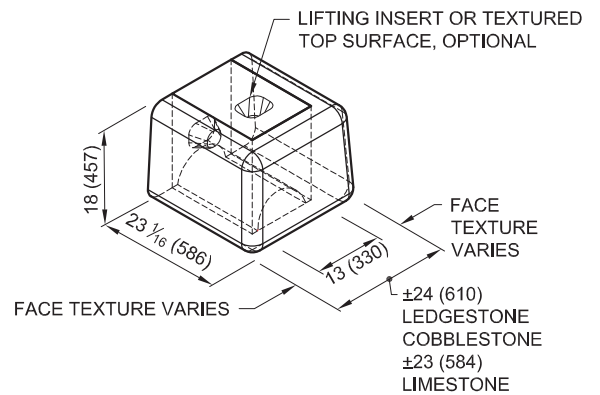
## HALF CORNER BOTTOM

Face Texture:	Limestone	Cobblestone	Ledgestone
Block Weight:	710 lb (320kg)	740 lb (340 kg)	700 lb (320kg)
Block Volume:	5.0 ft <sup>3</sup> (0.14m <sup>3</sup> )	5.2 ft <sup>3</sup> (0.15m <sup>3</sup> )	4.9 ft <sup>3</sup> (0.14m <sup>3</sup> )



## HALF CORNER TOP

Face Texture:	Limestone	Cobblestone	Ledgestone
Block Weight:	640 lb (290kg)	670 lb (310 kg)	630 lb (290kg)
Block Volume:	4.5 ft <sup>3</sup> (0.13m <sup>3</sup> )	4.7 ft <sup>3</sup> (0.13m <sup>3</sup> )	4.4 ft <sup>3</sup> (0.13m <sup>3</sup> )



1. Units for dimensions are inches (mm), typical unless noted otherwise.
2. Confirm block production with licensed Redi-Rock manufacturer.
3. Architectural faces on the blocks have varying texture.
4. Actual block volumes and weights may vary.

5. Weights are based upon a concrete density of 143 lb/ft<sup>3</sup> (2291 kg/m<sup>3</sup>).
6. Knobs are typically 10" (254mm) diameter by 4" (102 mm) tall. Smaller knobs are available.